



ul. Grzegorza z Sanoka 2
80-408 Gdańsk
tel.+48 58 341 42 45
tel./fax +48 58 341 39 85

TECHNICAL MANUAL

Smoke exhaust axial fan mcr Monsun R /D40-D100/



Version: Monsun R 26.01.26.6

FIRE VENTILATION SYSTEMS

CONTENTS:

1. FOREWORD	3
2. MANUFACTURER'S DISCLAIMER	3
3. SUBJECT	4
4. INTENDED USE	4
4.1. Application	4
4.2. Fire resistance	4
4.3. Versions.....	5
5. DESIGN AND OPERATING PRINCIPLE.....	5
5.1. Design	5
5.2. Function.....	5
5.3. Dimensions.....	5
5.4. Accesories	6
6. IDENTIFICATION MARKING	7
7. INSTALLATION.....	8
7.1. Pre-assembly inspection.....	8
7.2. Location and assembly	8
7.3. Electrical connections	10
7.4. Commissioning	11
8. TRANSPORT & STORAGE CONDITIONS.....	11
9. SAFETY MANUAL.....	12
10. MAINTENANCE & SERVICING.....	12
11. WARRANTY TERMS & CONDITIONS	12
FAN MEASUREMENT REPORT	14

CAUTION

All previous issues of this Technical Manual expire on the date of issue hereof. This Technical Manual does not apply to any fans manufactured prior to this Manual's date of issue.

1. FOREWORD

This Technical Manual is addressed to users/operators of type mcr Monsun R smoke exhaust axial fans. This document is intended to provide guidelines on the application, design, commissioning and operation of the product.



Read this Technical Manual thoroughly before installing this equipment at its operating site and commissioning.



If the equipment is found malfunctioning or defective, contact the manufacturer or their Authorised Representative.



Due to the continuous product improvement policy, we reserve the right to change the product design in order to improve its performance and safety.

The design of the fans complies with the essential requirements of PN-EN 12101-3:2004 for smoke exhaust fans. The design also meets the state of the art in technology, while assuring health and safety protection.

2. MANUFACTURER'S DISCLAIMER

- The manufacturer shall not be liable for any consequences of non-intended use or misuse of the equipment.
- DO NOT install any components that are not included in the equipment composition or accessories.
- Unauthorised modifications or alteration of this equipment is strictly prohibited.
- Protect the equipment enclosure (casing) from mechanical damage.
- Before attempting to install this equipment, verify the load bearing capacity of the structural members to which the equipment is to be fastened. Unreliable fastening may result in damage or failure of the equipment and/or be hazardous to all nearby personnel.
- This fan is not intended for forcing air with viscous pollutants that may settle on the equipment, and especially on its rotor.
- This fan is not intended for forcing air with corrosive pollutants that may be detrimental to the equipment.
- The maximum actual rotor RPM must never exceed the nominal (rated) RPM speed in operation.
- The manufacturer shall not be liable for any injuries, trauma or other bodily harm caused by misuse of this equipment.

3. SUBJECT

The subject of this Technical Manual is:

- mcr Monsun R F400 smoke exhaust axial fans
- mcr Monsun R F400 smoke exhaust axial fans, ATEX certified (ATEX/CAT3)
- mcr Monsun R F300 smoke exhaust axial fans
- mcr Monsun R F200 smoke exhaust axial fans

4. INTENDED USE

4.1. Application

The type mcr Monsun R smoke exhaust axial fans are ducted fans intended to remove smoke and heat generated in indoor rooms on fire. The equipment facilitates evacuation of persons from the area on fire, protect the building structure and its furnishing from high temperature, facilitate fire fighting, and inhibit spreading of fire to adjacent fire zones.

The versions available are:

- single-functional with single-speed motors;
- two-functional, i.e. for general and fire ventilation and with two-speed motors.

The fans can be installed indoors or outdoors: on suitable consoles with the motor in the vertical orientation, or on the bottom feet with the motor in the horizontal orientation.

The fan overall compression ratio makes them compatible with ventilation systems characterised by relatively high flow resistance.



The operating temperature range for fans in general ventilator systems is -20°C to + 40°C.

The fan may force dry air only and with a maximum particulate content of 0.3 g/m³.



This fan is not intended for forcing air with viscous pollutants that may settle on the equipment, and especially on its rotor.



This fan is not intended for forcing air with corrosive pollutants that may be detrimental to the equipment.



The maximum actual rotor RPM must never exceed the nominal (rated) RPM speed in operation.



Following operation in actual fire conditions, the fan will not be fit for further use.

4.2. Fire resistance

- Class F400 – fire resistance at 400°C for 120 minutes
- Class F300 – fire resistance at 300°C for 60 minutes
- Class F200 – fire resistance at 200°C for 120 minutes

4.3. Versions

- Single-speed fans
- Two-speed fans
- Reversible fans

Form versions

- Long casing form – CL
- Short casing form – without markings

5. DESIGN AND OPERATING PRINCIPLE

5.1 Design

The mcr Monsun R smoke exhaust axial fan comprises an electrical motor with a suitable insulation class, an axial rotor, a blade assembly and an outer casing.

Inside of the enclosure the fan motor is located and supported by the motor frame. The motor is coupled directly with an aluminium rotor on bearings, and on the rotor the profiled blades are installed. The angle and number of blades depend on the required compression and capacity of the fan. The motor bearings are high temperature resistant and maintenance free. The medium, which is fire gases and air with smoke, flows through the casing, the motor and the rotor blades. The electric box is installed on the motor. The fan CL casing features an inspection hole for connection of electrical wiring with the motor. The fan with short casing has no inspection hole. The suction and pressure ends of the fan feature flanged connections.

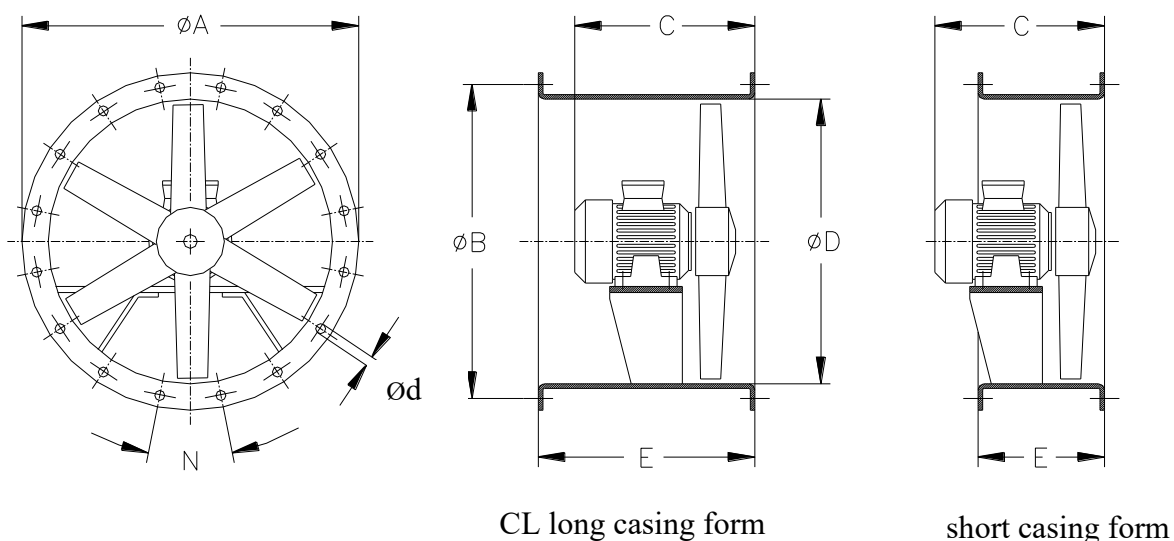
5.2 Function

The single-functional fans do not run in standby. When supply voltage is present on the electric box terminals, the fan is started and running.

The two-functional fans run at low speed (RPM) to handle general ventilation under normal conditions. After providing the alarm signal to the control panel, it automatically starts running with the second speed, which is higher than the first one.

5.3 Dimensions

The basic dimensions are given below with technical data and parameters.



mcr Monsun R smoke exhaust axial fans – Table of dimensions							
Fans – Type	D [mm]	~A [mm]	~E [mm] CL	~E [mm]	B [mm]	N [°]	nxd [mm]
mcr Monsun R 40	410	490	400	250	450	45	8x12
mcr Monsun R 45	460	540	400	250	500	45	8x12
mcr Monsun R 50	514	600	400/500*	250	560	30	12x12
mcr Monsun R 56	560	660	400/500/650*	250	620	30	12x12
mcr Monsun R 63	640	730	400/500/650*	250/350*	690	30	12x12
mcr Monsun R 71	710	810	430/500*	300	770	22.3	16x12
mcr Monsun R 80	800	900	500/600*	300	860	22.3	16x12
mcr Monsun R 90	900	1015	600	350	970	22.3	16x15
mcr Monsun R 100	1000	1115	600/700*	350/450*	1070	22.3	16x15

* Size depends on the fan motor size

5.4. Accesories

The fan can work with accessories such as:

➤ The flexible joint

The special fibreglass silicate textile ensure durability at 400°C for 120 min. Flexible joint is used to eliminate the vibrations transmitted from the fan to the ventilation system. It acts as a vibration damper. It is also used to compensate for thermal elongation. The fan integrated in a ventilation system should feature the flexible joint on the suction and pressure sides.

➤ The counterflange

made of galvanized steel sheet. Powder-coated in standard, or galvanized on custom order. This fitting is first used for installation of flexible joints on the fan and to connect the ventilation system to the fan.

➤ The safety mesh

made of galvanized steel sheet and galvanized wire mesh. Powder-coated in standard, or galvanized on custom order. The fitting protects the fan from ingress of foreign bodies. The product is designed for direct mounting on the fan casing flange with free-flow suction and forcing. Periodically check that the safety mesh is clean and clean it when necessary.

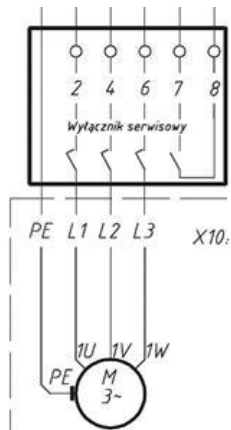
➤ The service switch

isolates the fan from electrical power when inspection or maintenance work is necessary. Each service switch features an auxiliary contact which indicates the power off position.

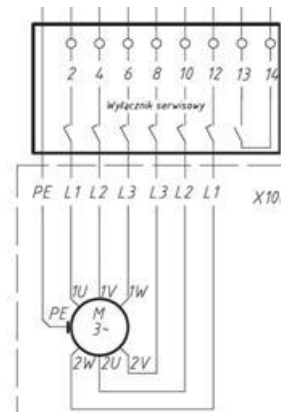
Install the service switch at a minimum distance of 9 cm from the fan body, i.e. on a console attached to e.g. the casing flange.

The 3-pole service switch is designed for motors rated at 230/400 V [single-speed versions].

The 6-pole service switch is designed for single- and two-speed motors rated at 400/690 V and two-speed motors rated at 230/400 V.



Connection: 3-pole switch



Connection: 6-pole switch

- **The kit with electric cable and connection box,**
- **The PTC probe, PT100, bimetallic detectors**
- **The bottom feet**

made of galvanized steel sheet. Powder-coated in standard, or galvanized on custom order. The bottom feet are intended for horizontal installation of the fan [horizontal orientation of the fan axis]. Fasten the feet to the fan housing flange with M8 or M10 bolts, depending on the equipment size. Note that the motor base must be level in the horizontal plane once the fan has been set in place. The openings in the bottom shelf of each feet allow tightening of vibration dampers. Do not use the bottom feet for installation in the vertical orientation.

- **Automatic non-return damper**

the damper body is made of galvanized steel sheet. Powder-coated in standard, or galvanized on custom order. The damper blade is made of aluminium sheet. The automatic non-return dampers are installed to prevent air circulation and heat losses when the fan is in standstill. The damper needs to be truly level to operate correctly.

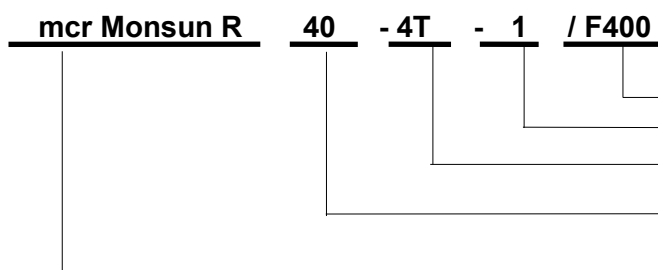
- **The noise muffler**

the noise muffler body is made of galvanized steel sheet. The inner core is made of perforated galvanized metal sheet. The muffling part is made of non-flammable sound-proofing wool. The threaded holes in the noise muffler allow direct fastening on the fan housing flange. Seal the joint interface with high-temperature silicone. The noise muffler dampens the noise generated by the fan.

- **The nozzle**

the nozzle with safety mesh is made of galvanized steel sheet. The product is designed to equalize the air stream entering the fan.

6. IDENTIFICATION MARKING



- Temperature category
- Power, kW
- No. of motor poles
- Nominal size [diameter, cm]
- Fan type

7. INSTALLATION

The mcr Monsun smoke exhaust axial fan is designed for vertical and horizontal installation. The equipment can be installed indoors or outdoors.

7.1. Pre-assembly inspection

Each smoke exhaust fan is factory inspected by the manufacturer prior to packing and shipping. Upon unpacking the delivered smoke exhaust fan, visually examine it for any damage in transport. The motor shaft should rotate with the rotor without evident resistance or scraping.

7.2. Location and assembly

The mcr Monsun smoke exhaust fan can be installed horizontally or vertically. Prior to installation, verify the load bearing capacity of the roof, floor, wall or ceiling where the equipment is to be located.

If the smoke exhaust fan is to be installed vertically on a roof, prepare and secure an opening in the roof slope at a diameter that fits the equipment. Set a special roof fan base over and aligned with the opening, and suitable for the roof type, the fan weight and the fan diameter. Level out and anchor the roof fan base to the roof slope. Put the fan on the roof fan base. Fasten both the equipment to the base with bolts. Secure the fan exhaust with a roof exhaust vent assembly to prevent rain water and snow from entering the building through the ducting.

When installing the smoke exhaust fan vertically on a baseplate, put the equipment on the vertical support. It is recommended to bolt vibration dampers to the support in order to reduce the vibration from the fan operation.

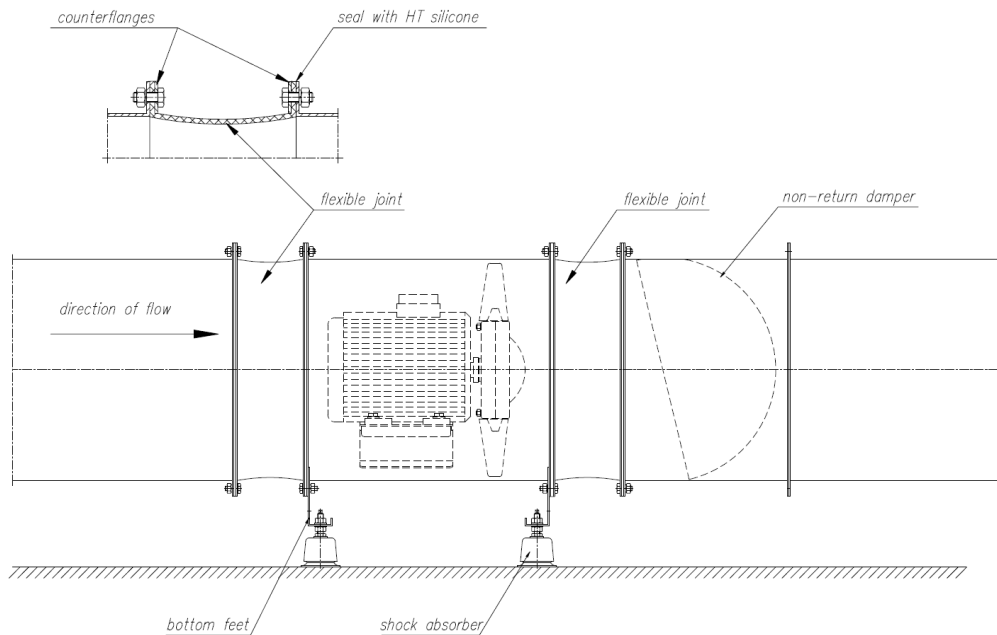
When installing the smoke exhaust fan horizontally, fasten the bottom feet to the fan casing flange with bolts. Set the finished assembly on previously prepared vibration dampers, which have been previously anchored to the substrate or a framework. The anchor and bolt diameter and length must match the equipment size.

When installing the smoke exhaust fan below a ceiling, do this on a suitable support structure. Install the vibration dampers and bottom feet on the support structure, then place the smoke exhaust fan there. The anchor and bolt diameter and length must match the equipment size.

Connecting the smoke exhaust fan to the (smoke) ventilation system:

Connect the ventilation duct to the smoke exhaust fan via the counterflanges. Use the flexible joints, which need to be fastened to the smoke exhaust fan to reduce the vibration transmission to the ducting. This assembly is installed by sealing the joint interfaces [with high-temperature silicone] and tightening the two parts with the bolts sized according to the fan size. The ventilation duct must not exert loads on the smoke exhaust fan or other components of the assembly. The ventilation duct must be supported by independent bearing slings. If the suction and forcing is free-flow, secure the smoke exhaust fan intake and exhaust with the safety mesh. If the smoke exhaust fan is operated within a ventilation system, secure the intake and exhaust sides from entrainment of foreign bodies or accidental entry of persons, animals, etc.

When installing the smoke exhaust fan, secure the installation site and all involved structures, and prepare passage and access ways for all personnel not involved in the installation. The smoke exhaust ventilation must be assured to enable inspection and servicing.



Example horizontal installation of the smoke exhaust fan

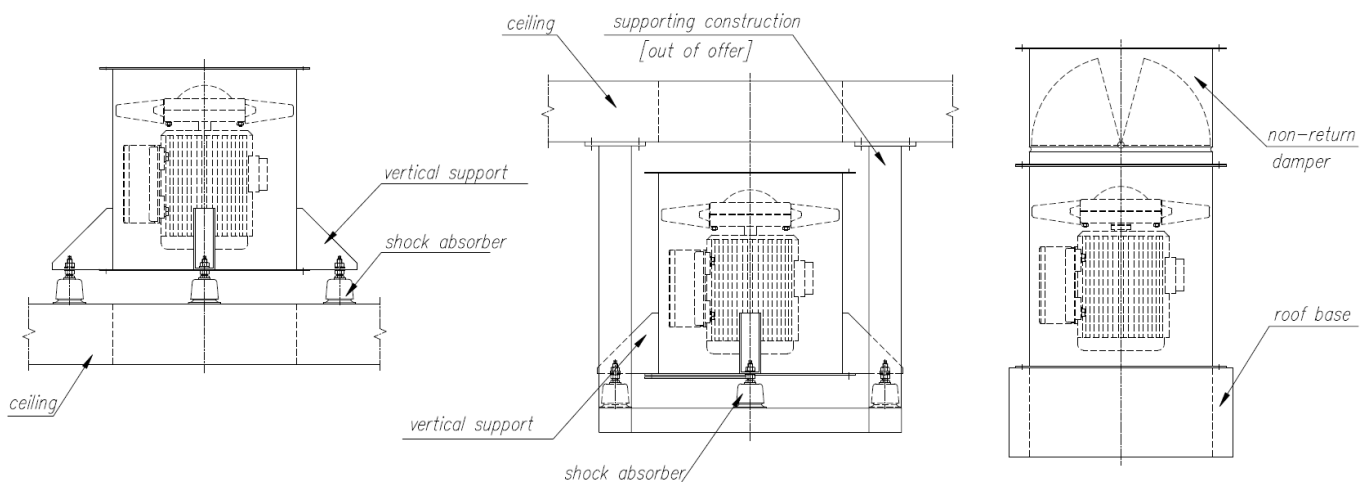
Notes:

- Secure the system against entrainment of foreign bodies and accidental entry of persons, animals, etc.
- Ensure that the fan is aligned with the system components.
- The automatic non-return damper must be levelled for good performance.
- Install a straight duct section with a min. length of $2.5 \times D$ on the fan pressure side.
- Seal the system joints with silicone or other high-temperature compound.

Installation over the ceiling

Installation under the ceiling

Installation with a non-return damper



Example vertical installation of the smoke exhaust fan

Notes:

- The support structure must carry the load of the fan weight

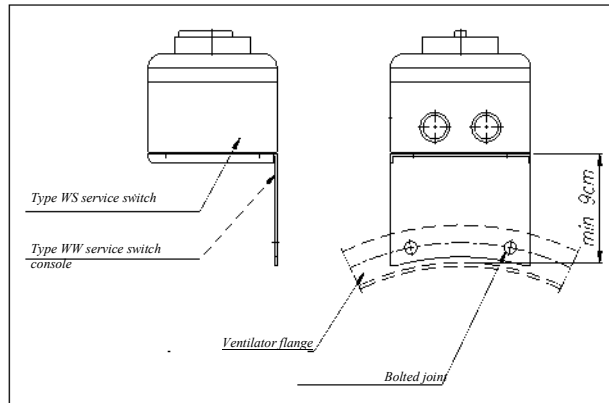
7.3. Electrical connections

Having properly located, placed and fastened the smoke exhaust fan, connect the equipment to the relevant electrical system wiring. Lead the wiring through the gland and into the electric box on the motor or the fan casing; then connect the wiring to the terminals according to the diagram shown in the box. The electric wire on the section between the connection box and the motor should have adequate fire resistance in accordance with the intended fire resistance of the fan. Each fan motor must be connected to the electrical power system over a safety switch. The safety level must be present according to the nominal current draw of the fan motor. The protective earth shall be made according to relevant electrical engineering standards.

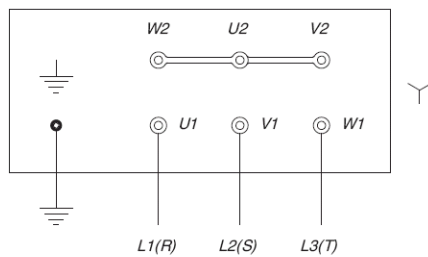
Once the smoke exhaust fan has been commissioned as a part of the system, measure the current draw and verify that it meets the motor rating plate data. The smoke exhaust fan current draw in steady operation must not exceed 1.1 times the current ratings.

The electrical power supply from the control cabinet to the fan power junction box must guarantee uninterrupted operation in the case of a fire. This can be achieved with high temperature resistant wiring or with protective tubing and proper safe routing of the electrical power system. No external service/maintenance switches are to be used, which is to prevent inadvertent shutdown of the smoke exhaust fan (with the sole exception of the fan-dedicated service switch with remote indication of current circuit switching). The smoke exhaust fan control cabinets must be powered directly from main switchboards with guaranteed uninterrupted power supply, even if the entire building is cut off from the power grid. If a main fireman's switch is installed to isolate power from the entire building, the smoke exhaust fan power supply must be independent from that solution and assure normal operation in the case of a fire.

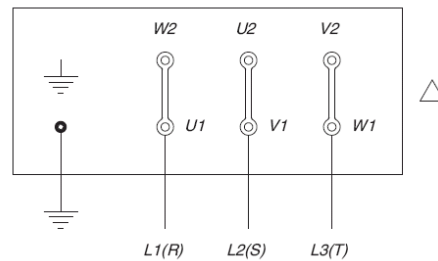
If the system uses the service switch, install it outside of the fan casing, i.e. at a min. distance of 9 cm, on a bracket bolted to e.g. the fan casing flange [see the figure below].



Electrical wiring connections must only be made by electricians with valid licenses.



Connections for 230/400 V motors



Connections for 400/690 V motors

7.4. COMMISSIONING

Before commissioning your installed smoke exhaust fan, do the following:

- Check that the smoke exhaust fan is properly and firmly fastened.
- Check all seals for tightness.
- Check that all electrical wiring is properly and firmly connected.
- Check that the phase connection sequence and PE/neutral wiring is properly connected.
- Check that the smoke exhaust fan and its connected ducting are free of foreign bodies.
- Check that all protective/safety components have been installed.
- If the checks are positive, start the fan and do a functional test.
- When starting the smoke exhaust fan, verify the motor sense of rotation against the direction arrow on the enclosure.

8. TRANSPORT & STORAGE CONDITIONS

During transport and storage, the mcr Monsun smoke exhaust fans are placed on pallets. Do not topple or throw the packaging during loading and transport. The smoke exhaust fan can be handled and shipped on any means of transport, provided that they are secured against weather and elements. The smoke exhaust fans on transport vehicles must be secured against shifting. Visually inspect each piece of equipment following transport and handling.

Store in sheltered rooms, where:

- there is no exposure to dust particulates, gases, corrosive vapours and other aggressive chemical emissions detrimental to insulation parts and structural components of the ventilator and/or its motor;
- the maximum relative humidity is 80% at 20°C;
- the ambient temperature does not exceed the range of -20°C to + 40 °C;
- no vibrations are present.

9. SAFETY MANUAL

Read and understand this Technical Manual before commissioning and servicing the product.

The smoke exhaust fan is not hazardous when firmly attached to a ventilation system and the fan support structure.

Make the electrical connections according to the enclosed electrical wiring diagram and the guidelines in Section 7.3. Electrical connections shall be made by personnel with relevant qualifications which have been certified as required by current laws.

Inspect the PE wire connection of the smoke exhaust fan during the operating life.

Disconnect the smoke exhaust fan from electrical power before any inspections or checks.

CAUTION:

1. Do not clean smoke exhaust fans of deposits with pressure or steam washers.
2. Loss of seal at the fan connections or flexible ends may result in hazards due to release of the forced medium and requires immediate replacement of leaking components.

If the equipment is malfunctioning (e.g. excessive noise, vibration and/or erratic operation is found), disconnect the fan from electrical power supply, and call the manufacturer's technical service or an inspection and repair contractor authorised by the manufacturer.

10. MAINTENANCE & SERVICING

The equipment from MERCOR L&V require periodic technical inspection and maintenance at least every 12 months throughout its operating life, i.e. during the warranty and post-warranty period. Inspection and maintenance may only be carried out by the manufacturer or contractors authorised by MERCOR L&V to service its products.

The obligation to carry out regular service inspections of fire protection devices results from the Art. 3(3) of the Regulation by the Minister of Internal Affairs and Administration of 7 June 2010 on fire protection of buildings, other civil structures and areas (Journal of Laws, Year 2010, No. 109, item 719).

Do these recommended actions in the inspection intervals:

- Check the electrical connections, especially for all mechanical damage.
- Check the equipment casing, especially for all mechanical damage.
- Check for any obstructions to proper performance of the equipment.

To facilitate the activities under service inspection, servicing and warranty claim response, e.g. visual inspection or repairs, the equipment user/operator shall provide physical access to the equipment by removing thermal insulation, suspended ceiling, and other installations, as required and applicable to warrant unobstructed access, etc.

In the case of roof mounted equipment, provide access to the area (via ladders or elevated platforms).

If the equipment is only operated for smoke exhaust during fire, test run it for ca. 10 minutes every 3 months.

Refer all matters related to technical inspection, maintenance and servicing of this equipment to the MERCOR L&V Service Department, serwis@mercor.com.pl, tel. +48 58 341 42 45 ext. 170, fax: +48 58 341 39 85, from 8 AM to 4 PM (Mo-Fri).

11. WARRANTY TERMS & CONDITIONS

1. MERCOR L&V provides a 12-month quality guarantee and warranty for the equipment, counting from the date of purchase, unless the contract stipulates otherwise.
2. The purchaser is obliged to check the Products in terms of quality and quantity upon receipt.
3. Any defects, shortages or damage noticed must be entered in the receipt documents or on the consignment note and reported in writing to MERCOR L&V, with all damage to the shipment or product documented with photographs.
4. Reports of damage to the shipment, product or quantity shortages must be sent in writing to MERCOR L&V within 24 hours of the date of receipt of the shipment.

5. Defects not visible at the time of delivery must be reported immediately to MERCOR L&V together with photographic documentation, and reports of quality defects must be made no later than within 5 working days of the date of receipt of the Products.
6. MERCOR L&V reserves the right not to consider the above-mentioned reports in the event of failure to provide (receive) photographic documentation or after the above-mentioned deadlines have been exceeded.
7. Complaints can be made by telephone: 58/341-42-45, by fax: 58/341-39-85, by e-mail: reklamacje@mercor.com.pl or by sending a letter to the following address: MERCOR L&V, ul. Grzegorza z Sanoka 2, 80-408 Gdańsk.
8. If, during the warranty and guarantee period, physical defects covered by the warranty and/or guarantee become apparent, MERCOR L&V undertakes to remove them as soon as possible, counting from the date of receipt of a written notification and delivery of proof of purchase (contract, invoice, delivery document), subject to point 14.
9. MERCOR L&V reserves the right to extend the repair time in the case of complex repairs or repairs requiring the purchase of non-standard components or spare parts.
10. Liability under the warranty and guarantee covers only defects arising from causes inherent in the equipment sold.
11. In the case of defects arising as a result of improper use of the equipment (not in accordance with the technical documentation) or other reasons specified in point 14, the Buyer/warranty holder may be charged with the costs of their removal.
12. The condition for the removal of defects is that the reporting party provides full access to the work site, in particular ensuring: a lift in the case of devices installed at a height of more than 3 m, free access to the rooms where the devices are installed and the necessary inspections, removal of thermal insulation, removal of suspended ceilings, removal of other installations if they prevent free access to the device.
13. If it is not possible to repair the device at the place where it is installed, MERCOR L&V reserves the right to dismantle it, deliver it to the address indicated by MERCOR L&V and reassemble it. The cost of this operation shall be borne by the purchaser/warranty holder.
14. The warranty and guarantee do not cover:
 - damage and failure of devices caused by improper operation (not in accordance with the technical documentation), interference by the user or persons not authorised by MERCOR L&V, lack of periodic technical inspections, failure to perform maintenance activities described in the 'MAINTENANCE AND SERVICE' section of this document;
 - damage to equipment caused by reasons other than those attributable to MERCOR L&V, in particular: random events such as torrential rain, flooding, hurricanes, flooding, lightning strikes, power surges, explosions, hail, aircraft crashes, fire, avalanches, landslides and secondary damage resulting from the above causes. Torrential rain is defined as rain with a yield coefficient of at least 4, as determined by the Institute of Meteorology and Water Management (IMiGW). If it is not possible to determine the coefficient referred to in the preceding sentence, the actual condition and extent of damage at the place where it occurred, which will indicate the effect of torrential rain, will be taken into account. A hurricane is considered to be wind with a speed of not less than 17.5 m/s (damage is considered to have been caused by a hurricane if hurricane activity has been confirmed in the immediate vicinity);
 - damage resulting from failure to comply with the obligation to immediately report a discovered defect;
 - deterioration in the quality of coatings caused by natural ageing processes;
 - defects caused by the use of abrasive or aggressive cleaning agents;
 - damage caused by aggressive external factors, in particular chemical and biological factors, or whose origin is related to production processes and activities carried out in the facility or in its immediate vicinity, where the equipment was installed;
 - parts subject to natural wear and tear during operation (e.g. seals), unless they have a manufacturing defect;
 - damage caused by improper transport, unloading or storage of the equipment;
 - damage caused by installation that does not comply with the technical documentation and good construction practice;
 - devices or their parts in the event of breakage or damage to the nameplate or warranty seals.

15. The warranty and guarantee shall expire with immediate effect if:
 - The buyer/warranty and guarantee beneficiary makes structural changes on their own without prior agreement with MERCOR L&V,
 - periodic technical inspections and maintenance activities were not performed on time or were performed by unauthorised persons or a service provider not authorised by MERCOR L&V, or if the equipment was operated incorrectly,
 - there has been any interference by persons not authorised by MERCOR L&V – apart from activities falling within the scope of normal operation of the equipment.
16. The purchaser/warranty and guarantee holder is obliged to operate the equipment properly (in accordance with the technical documentation) and to carry out periodic technical inspections and maintenance activities in accordance with the rules described in this document in the section 'MAINTENANCE AND SERVICE'.

The relevant provisions of the Polish Civil Code shall apply to all matters not regulated in these Warranty Terms & Conditions.

FAN MEASUREMENT REPORT

FAN TYPE	
SERIAL NUMBER	
INSTALLATION SITE	
RATED CURRENT	

Once the fan has been installed at its intended operating site and all electrical connections have been made, immediately measure the current draw in steady-state operation of the equipment.

MEASUREMENT RESULTS [A]

U1	V1	W1	U2	V2	W2

NOTES:

Full name of the measuring technician	Date measured	Signature

Return this Report immediately after completion of measurements to:

MERCOR Light&Vent Sp. z o.o. (MERCOR L&V)

Fire Ventilation Systems
ul. Grzegorza z Sanoka 2
80-408 Gdańsk

and not later than in 8 weeks from the date of equipment purchase (equivalent to the date of the VAT sales invoice).

THE EQUIPMENT WARRANTY BECOMES ENFORCEABLE UPON RETURN OF THIS MEASUREMENT REPORT